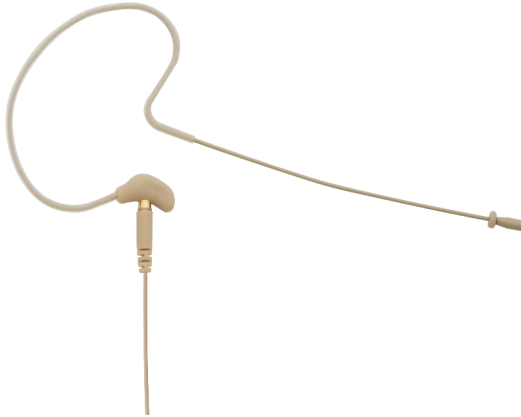


# TG H57

Condenser Microphone

Order # 708.941



TG H57 without pop shield



TG H57 with pop shield

## FEATURES

- High-quality miniature condenser microphone (omnidirectional)
- Splash-proof capsule design
- Flexible and rugged ear hook
- Detachable cable with 4-pin female Mini-XLR connector

## APPLICATIONS

The TG H57 ear hook microphone commands but does not attract attention – in other words, a commanding and balanced sound meets a subtle appearance. The splash- and sweat-proof omnidirectional microphone can be worn on either side. Benefits that come into their own when the microphone is used for presentations or moderations.

The detachable connecting cable features a thread and can be replaced by another cable at any time.

The TG H57 microphone is available as **TG version** and can therefore be used with the wireless microphone systems of the TG series.

For wired applications with phantom power sources the TG H57 must be used with the optional MA-PVA power adapter.

The microphone is available in beige.

## SUPPLIED ACCESSORIES

WS 56 tan      Wind shield, beige . . . . . Order # 708.879

## TECHNICAL SPECIFICATIONS

Transducer type . . . . .	Condenser (back electret)
Operating principle . . . . .	Pressure
Polar pattern . . . . .	Omnidirectional
Frequency response . . . . .	20 - 20,000 Hz
Open circuit voltage . . . . .	3.5 mV/Pa (-49 dBV)* ±3 dB
Nominal impedance . . . . .	1 kΩ
Max. SPL . . . . .	127 dB SPL*
Signal-to-noise ratio . . . . .	47 dB [CCIR, Q-Peak]*
Equivalent SPL . . . . .	35 dB [A, RMS]*
Power supply . . . . .	Direct current
Max. power consumption . . . . .	0.5 mA
Supply voltage . . . . .	2 - 9 V
Connector . . . . .	Mini-XLR, 4-pin, female
Dimensions:	
Capsule diameter . . . . .	3 mm
Cable length . . . . .	1.2 m
Weight:	
with cable/connector . . . . .	approx. 11 g
without cable/connector . . . . .	approx. 2.3 g

\*measured with MA-PVA

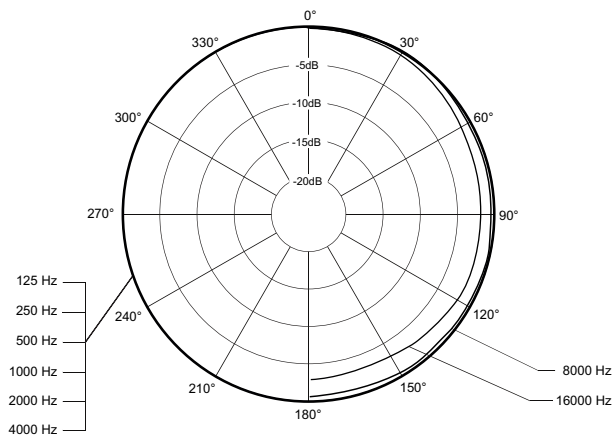
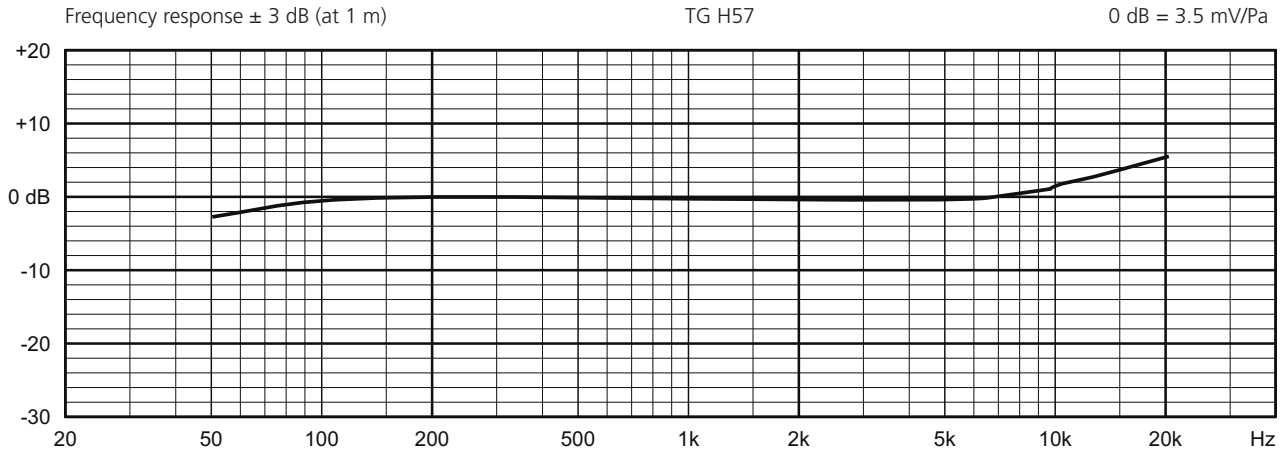
## OPTIONAL ACCESSORIES

MA-PVA	Power adapter to connect to phantom-powered microphone inputs, for microphones with TG pin assignment . . . Order # 711.098
WS 56 tan	Wind shield, beige . . . . . Order # 708.879
MA-C H56 tan (TG)	Connecting cable, beige . . . Order # 708.860

# TG H57

## FREQUENCY RESPONSE & POLAR PATTERN

This polar pattern and frequency response curve (measuring tolerance  $\pm 3$  dB) correspond to a typical production sample for this microphone.



## WIRING DIAGRAM

